

Boulons Plus
Part No.

Quoted By:



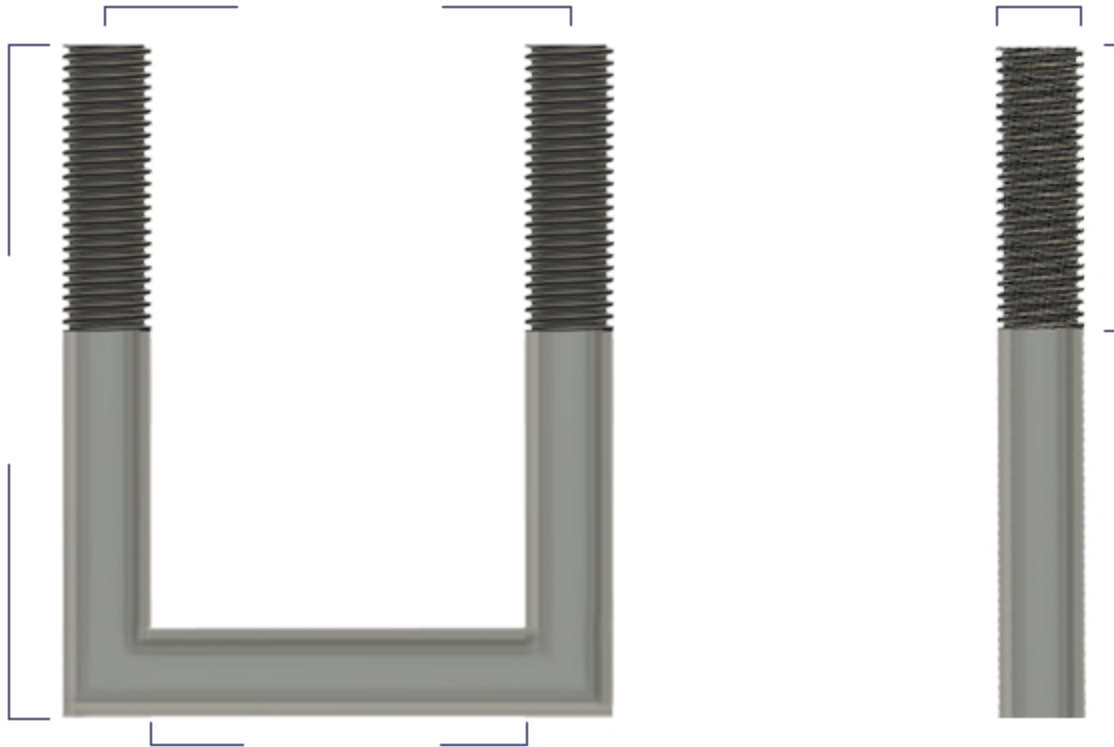
BOULONS PLUS

SQUARE U-BOLTS

Customer
Part No.

Signature

Once manufacturing has started, items can not be refunded nor exchanged | Quantities may vary +- 10% | This drawing must be returned signed by hand in order to start the manufacturing process



QUANTITY

STEEL GRADE

PROJECT

COATING

COMPANY

THREADED BY

BUYER

NOTES