

Boulons Plus
Part No.

Quoted By:



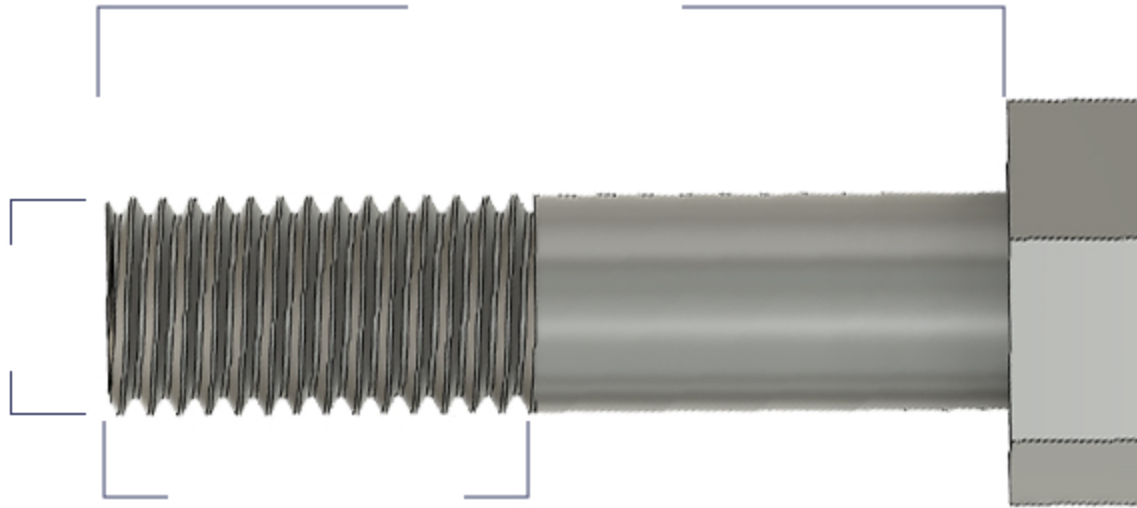
BOULONS PLUS

Customer
Part No.

Signature

HEAVY HEX HEAD BOLTS

Once manufacturing has started, items can not be refunded nor exchanged | Quantities may vary +- 10% | This drawing must be returned signed by hand in order to start the manufacturing process



QUANTITY		STEEL GRADE	
PROJECT		COATING	
COMPANY		THREADED BY	
BUYER		NOTES	